



Description

A general purpose, 4 figure electromechanical reset counter perfect for applications where long life, reliability, and accuracy are mandatory. Several mounting alternatives and large, easy-to-read numbers are combined in a rugged housing.

Features

- Rugged housing
- Long life
- Reliable
- Accurate

Options

- Voltages
- Lead lengths
- Terminations

Specifications

**Figures:** 4 figures, white on black, 0.19" [5mm] high  
**Reset:** Knob  
**Speed:** 1,000 counts/minute  
 (min. 30ms - on, 30ms - off)  
**Voltage:** 115 VAC  
 (+/-10%, but not to exceed 10 volts)  
**Power:** 5 watts (nominal)

**Mounting:** Base, panel, or behind the panel  
**Terminations:** (2)#22 AWG 105°C wire leads, 8" [203mm] long  
**Operating Life:** Beyond 50 million counts  
**Temp. Range:** -15°F to +140°F [-26°C to +60°C]  
**Approvals:** UL Recognized, CSA Certified, CE Compliant  
**Weight:** 10 oz. [284g]

Models Description

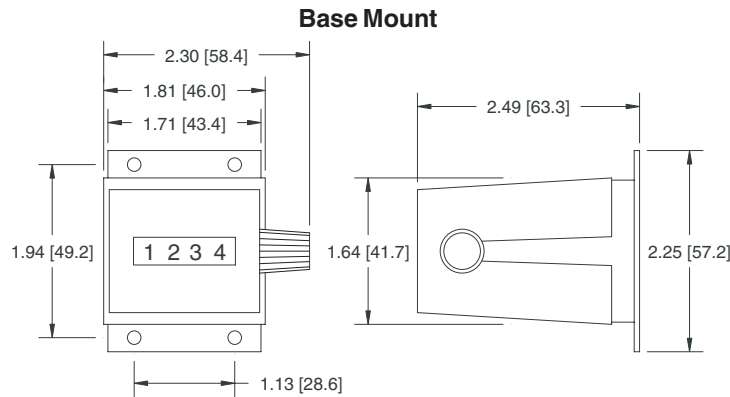
**2-1284** 115VAC, Base mount, knob reset  
**D2-1284** 115VAC, D panel mount, knob reset

Models Description

**P2-1284** 115VAC, P panel mount, knob reset  
**PR2-1284** 115VAC, PR panel mount, knob reset

\* Items in bold are normally in factory stock.

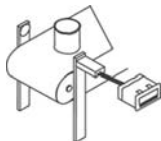
Dimensions



Mounting holes: 0.15" [3.8mm] Dia.

Applications

Production totals



Medical devices



Office machines



Control Panels

